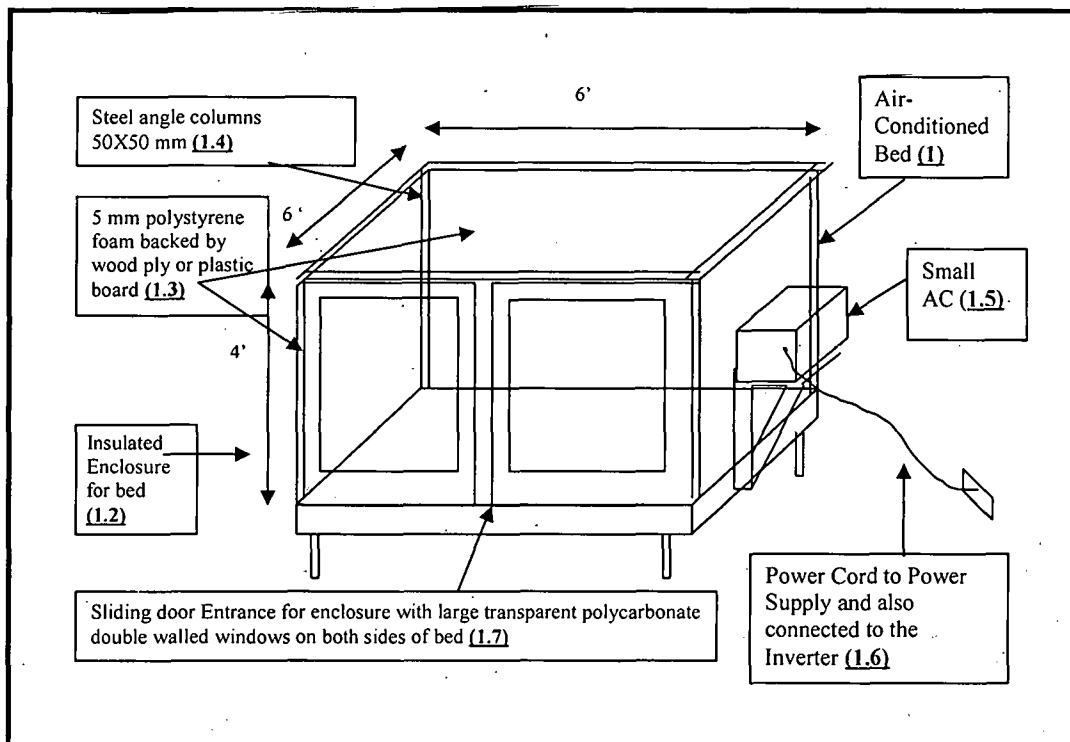




PRADUMNA PANDEY
INSULATED AIR-CONDITIONED BED
APPLICATION NUMBER 1185/DEL/2004

TOTAL NUMBER OF SHEETS 2
SHEET 1 OF TOTAL SHEETS 2

5



Total Area for heat influx = 15.12 sq mtr

Figure 1

15

R) m
09/11/15

[RAHUL DUTTA]
{PATENT ATTORNEY FOR THE APPLICANT (IN/PA549)}

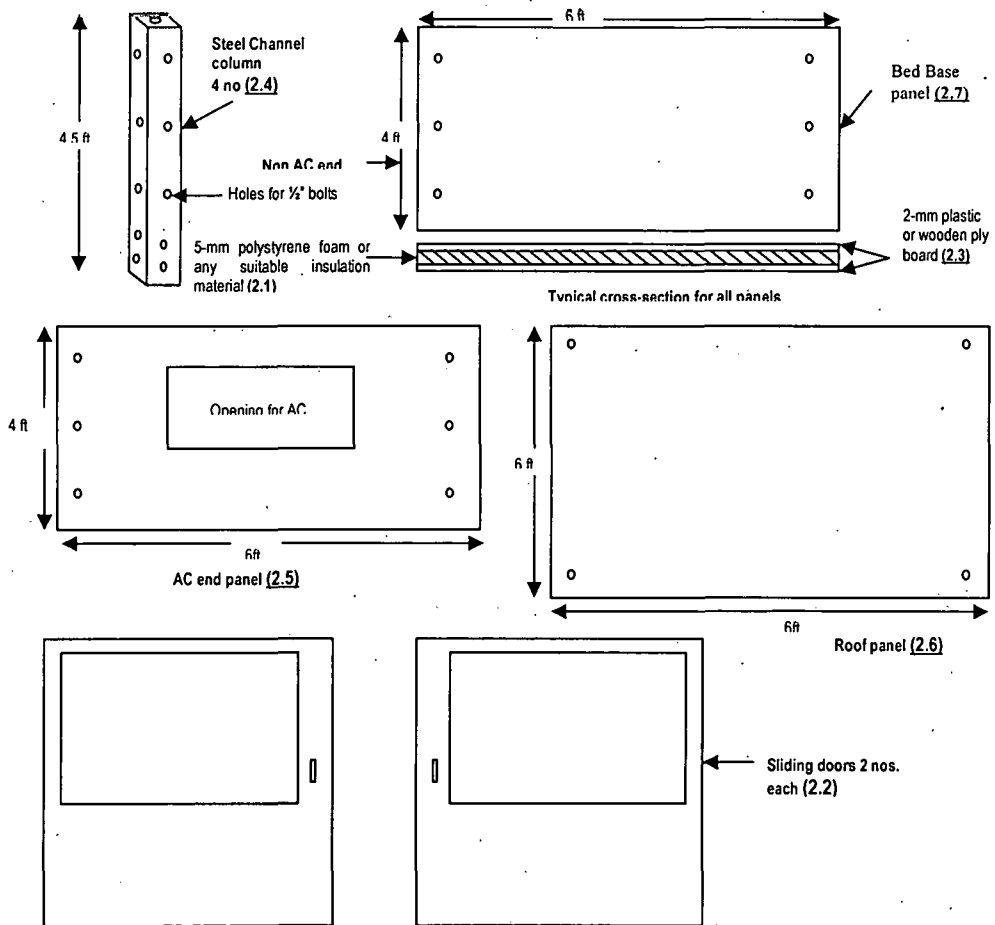


FIGURE 2

[Handwritten signature]
 09/11/15

[RAHUL DUTTA]

{PATENT ATTORNEY FOR THE APPLICANT (IN/PA549)}